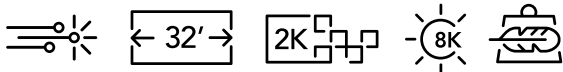


CP2308-RGBe

Small-screen auditoriums | Boutique cinema | Screening rooms

Advanced, yet affordable, DCI compliant cinema projection with RGB laser illumination for screens up to 32 feet



Key features:

- › **Improved cinema experience** – expanded color gamut, greater brightness and contrast
- › **Future proofed** – HFR capable, 3D ready, compatible with 3rd-party IMBs and features AIC support
- › **Easy to operate** – adds UX inspired interface for playback, scheduling and content management
- › **Affordable performance** – eliminate lamp costs. Higher optical efficiency from laser diodes
- › **Enhanced Wavelength Diversity (EWD)** – suppresses visible speckle using both time and spatial decoherence.
- › **Long-lasting light source** – delivers stable light output and consistent colors for 30,000 hours



Integrated screen management system enabling seamless content and booth management with built-in automation controller

LAMPTOLASER.COM

Compare lamp and laser illumination technologies



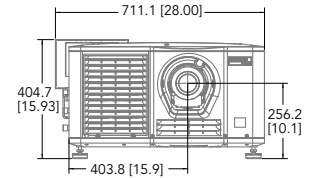
Specifications

Christie CP2308-RGBe

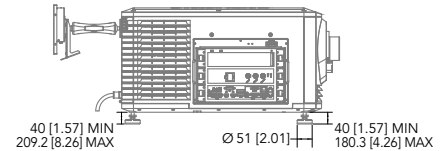
Brightness	nominal	• Up to 8000 DCI lumens
	lifetime	• 30,000hrs to 70% brightness (<25°C ambient)
Contrast ratio		• 2000:1 full field on/off
Digital micromirror device		• 0.69" S2K 3-chip DMD DLP Cinema® • 2048 x 1080 pixels (2K)
Color gamut		• >90% of Rec 2020 coverage
Lens mount configuration		• Fully motorized Intelligent Lens System (ILS™)
Lenses		• 1.2 - 1.72 / 1.33 - 2.1 / 1.62 - 2.7 / 2.09 - 3.9
Input line voltage		• Single phase 200-240V
Power Consumption		• 870W max
Laser class		• Class 1 – Risk Group 3
Automation		• GPIO/Health Connector: x4 opto-isolated GPI (inputs), x4 relay driven GPO (outputs), x1 "Projector Health" status - relay driven output • "Serial-over-Ethernet" based automation
Weight		• As installed: 53.75Kg
Dimensions (w/o lens)	size (LxWxH)	• 27.4 x 27.1 x 15.6" (696 x 688 x 395mm)
Accessories		• Christie IMB-S3 ¹ • NAS-S2 4TB storage • NAS-S3 5.4TB storage • 90-degree extraction duct adapter • Rack mount stand

¹ Supports 3rd party IMB models from Dolby, GDC and others. Please contact Christie for updated compatibility list.

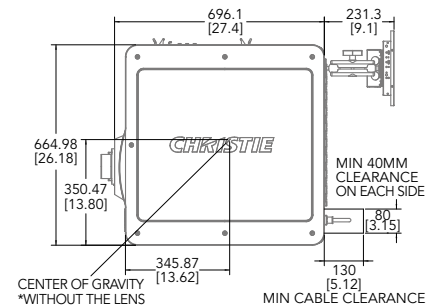
Front view



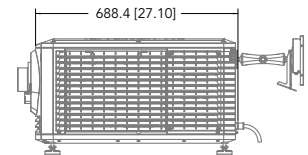
Side view



Top view



Side view



Corporate offices

Christie Digital Systems USA, Inc.
Cypress
ph: 714 236 8610

Christie Digital Systems Canada Inc.
Kitchener
ph: 519 744 8005

Worldwide offices

Australia
ph: +61 (0) 7 3624 4888

Brazil
ph: +55 (11) 2548 4753

China (Beijing)
ph: +86 10 6561 0240

China (Shanghai)
ph: +86 21 6030 0500

Colombia
ph: +57 (318) 477-3179

Eastern Europe
ph: +36 (0)1 47 48 138

France
ph: +33 (0) 1 41 21 44 04

Germany
ph: +49 221 99 512-0

India
ph: +91 (080) 6708 9999

Mexico
ph: +52 55 4744 1790

Singapore
ph: +65 6877 8790

South Korea
ph: +82 2 702 1601

Spain
ph: +34 91 633 9990

United Arab Emirates
ph: +971 (0) 4 503 6800

United Kingdom
ph: +44 (0) 118 977 8000

United States (Arizona)
ph: 602 943 5700

Independent sales consultant offices

Italy
ph: +39 (0) 2 9902 1161

Russia
ph: +7 (495) 930 8961

For the most current specification information, please visit christiedigital.com

Copyright 2020 Christie Digital Systems USA, Inc. All rights reserved. All brand names and product names are trademarks, registered trademarks or tradenames of their respective holders. Performance specifications are typical. Due to constant research, specifications are subject to change without notice.
CINE0093-CP2308-RGBe-Datasheet-Jan-20-EN-US



CHRISTIE®