

## CP2306-RGBe

Small-screen auditoriums | Boutique cinema | Screening rooms

Advanced, yet affordable, DCI compliant cinema projection with RGB laser illumination for screens up to 26 feet



### Key features:

- › **Improved cinema experience** – expanded color gamut, greater brightness and contrast
- › **Future proofed** – HFR capable, 3D ready, compatible with 3rd-party IMBs and features AIC support
- › **Easy to operate** – adds UX inspired interface for playback, scheduling and content management
- › **Affordable performance** – eliminate lamp costs. Higher optical efficiency from laser diodes
- › **Enhanced Wavelength Diversity (EWD)** – suppresses visible speckle using both time and spatial decoherence.
- › **Long-lasting light source** – delivers stable light output and consistent colors for 30,000 hours



Integrated screen management system enabling seamless content and booth management with built-in automation controller

[LAMPTOLASER.COM](#)

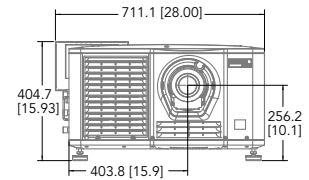
Compare lamp and laser illumination technologies



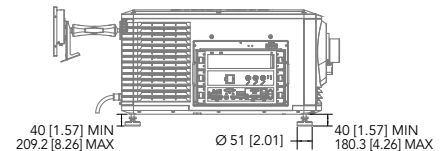
Specifications		Christie CP2306-RGBe
Brightness	nominal	• Up to 6000 DCI lumens
	lifetime	• 30,000hrs to 70% brightness (<25°C ambient)
Contrast ratio		• 2000:1 full field on/off
Digital micromirror device		• 0.69" S2K 3-chip DMD DLP Cinema® • 2048 x 1080 pixels (2K)
Color gamut		• >90% of Rec 2020 coverage
Lens mount configuration		• Fully motorized intelligent lens system (ILS)
Lenses		• 1.2 - 1.72 1.33 - 2.1 1.62 - 2.7 2.09 - 3.9
Input line voltage		• Single phase 200-240V
Power Consumption		• 690W max
Laser class		• Class 1 – Risk Group 3
Automation		• GPIO/Health Connector with 4 opto-isolated GPI (inputs), 4 relay driven GPO (outputs), "Projector Health" status – relay driven output • "Serial-over-Ethernet" based automation
Weight		• As installed: 115lbs max (52.3kg)
Dimensions (w/o lens)	size (LxWxH)	• 27.4 x 27.1 x 15.6" (696 x 688 x 395mm)
Accessories		• Christie IMB-S3¹ • NAS-S2 4TB storage • NAS-S3 5.4TB storage • 90-degree extraction duct adapter • Rack mount stand

¹ Supports 3rd party IMB models from Dolby, GDC and others. Please contact Christie for updated compatibility list.

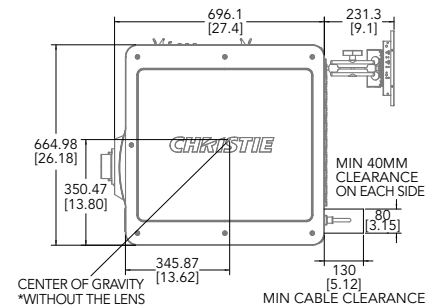
## Front view



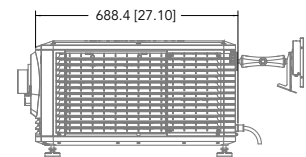
## Side view



## Top view



## Side view



### Corporate offices

Christie Digital Systems USA, Inc.  
Cypress  
ph: 714 236 8610

Christie Digital Systems Canada Inc.  
Kitchener  
ph: 519 744 8005

### Worldwide offices

Australia  
ph: +61 (0) 7 3624 4888

Brazil  
ph: +55 (11) 2548 4753

China (Beijing)  
ph: +86 10 6561 0240

China (Shanghai)  
ph: +86 21 6030 0500

Colombia  
ph: +57 (318) 477-3179

Eastern Europe  
ph: +36 (0)1 47 48 138

France  
ph: +33 (0) 1 41 21 44 04

Germany  
ph: +49 221 99 512-0

India  
ph: +91 (080) 6708 9999

Mexico  
ph: +52 55 4744 1790

Singapore  
ph: +65 6877 8790

South Korea  
ph: +82 2 702 1601

Spain  
ph: +34 91 633 9990

United Arab Emirates  
ph: +971 (0) 4 503 6800

United Kingdom  
ph: +44 (0) 118 977 8000

United States (Arizona)  
ph: 602 943 5700

### Independent sales consultant offices

Italy  
ph: +39 (0) 2 9902 1161

Russia  
ph: +7 (495) 930 8961

For the most current specification information, please visit [christiedigital.com](http://christiedigital.com)

Copyright 2020 Christie Digital Systems USA, Inc. All rights reserved. All brand names and product names are trademarks, registered trademarks or tradenames of their respective holders. Performance specifications are typical. Due to constant research, specifications are subject to change without notice.  
CINE0094-CP2306-RGBe-Datasheet-Jan-20-EN-US

